

# JACKAL

UNMANNED GROUND VEHICLE

**USER MANUAL**

# CONTENTS

<b>1 Introduction</b>	<b>3</b>
1.1 What's Included . . . . .	3
1.2 Hardware Overview . . . . .	3
1.3 System Architecture . . . . .	5
<b>2 Getting Started</b>	<b>7</b>
2.1 Wireless Access . . . . .	7
2.1.1 Static IP Configuration . . . . .	7
2.1.2 Connect to Jackal via SSH over ethernet . . . . .	8
2.1.3 Connect Jackal to Wireless Network . . . . .	8
2.2 Remote ROS Connectivity . . . . .	9
2.3 Jackal Desktop Packages . . . . .	11
<b>3 Apps</b>	<b>12</b>
<b>4 Charging &amp; Battery Maintenance</b>	<b>13</b>
<b>5 Payload Integration Guide</b>	<b>14</b>
5.1 Mechanical Mounting . . . . .	14
5.2 Electrical Integration . . . . .	14
5.3 Software Integration . . . . .	14
<b>6 Contact</b>	<b>15</b>

# 1 INTRODUCTION

Jackal is a rugged, lightweight, fast, and easy-to-use unmanned ground vehicle for ROS Indigo, presented by Clearpath Robotics.

Jackal includes a standard internal PC, as well as basic IMU and GPS. Standard perception modules are available, including URDF and simulator integration, and demonstration applications.

Please inquire with Clearpath Robotics for details. See Contact on page 15 for contact information.

## 1.1 What's Included

Contained in your Jackal shipment are the following items:

- Jackal UGV
- 270 watt-hour lithium battery pack
- 110V/220V universal charger
- Sony Bluetooth controller
- Jackal User Manual

If you elected to purchase standard payload modules or custom integration services with Jackal, then additional equipment will be included per your specific configuration, plus further documentation as required.

## 1.2 Hardware Overview

Jackal's external features include the mounting pattern on the lid panel, 190 mm diameter wheels, human machine interface panel (HMI), and lid panel latches. The HMI panel is shown in Figure 1, and includes from left: motor button, comms indicator, wifi indicator, battery indicator, and system power button.

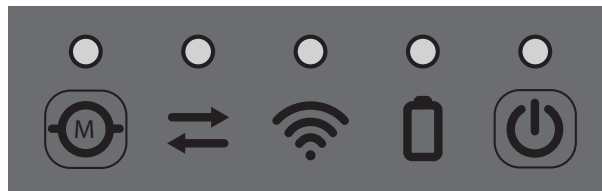


Figure 1: HMI panel.

To access Jackal's interior, actuate the latches under the front end of the lid, on the opposite end from the HMI. When you lift the lid, you will see Jackal's onboard Li-Ion battery pack, and its two connectors. The large Anderson Power Pole connector is to supply power to Jackal and must be connected in order for Jackal to operate. The smaller white Molex connector allows the battery pack to be charged inside Jackal while Jackal is powered off. It is recommended to connect both. The interior components of Jackal are labeled in Figure 2.

Finally, you may undo the thumbscrews which hold Jackal's computer tray to the lid. The tray lowers, revealing Jackal's onboard Mini-ITX PC, user power supplies, and internal user hardware mounting area. Please see

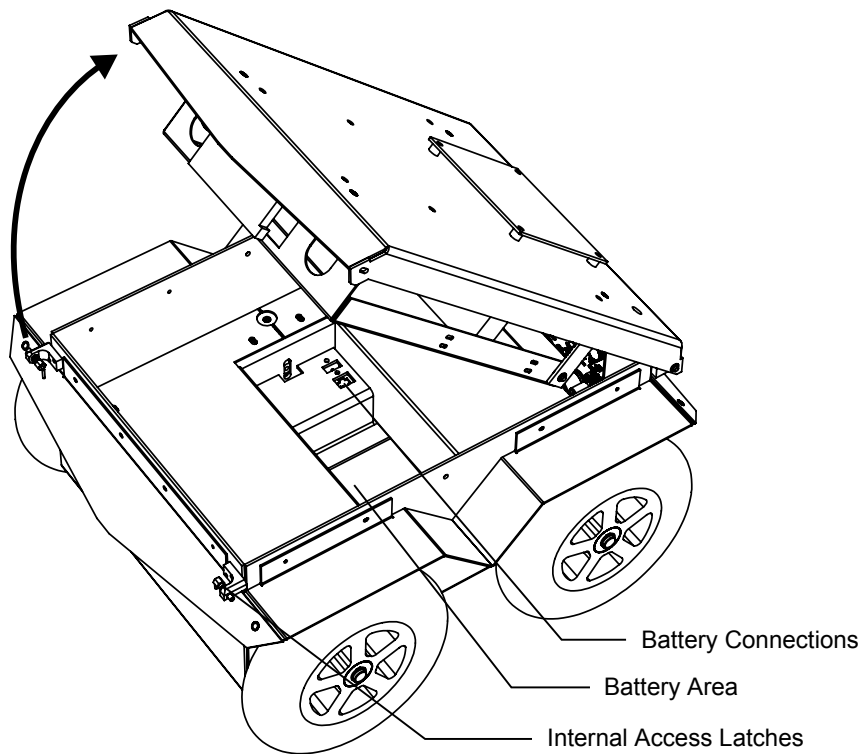


Figure 2: Battery area inside Jackal.

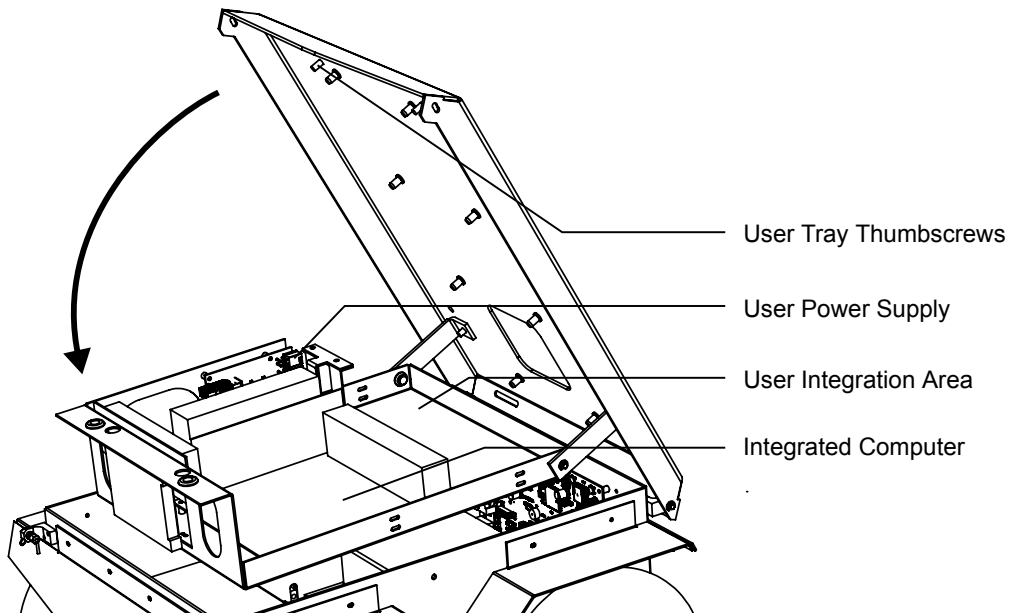


Figure 3: Computer and user tray.



The key topics which comprise Jackal's ROS API are given in Table 1.

Topic	Message Type	Purpose
/cmd_vel	geometry_msgs/Twist	Input to Jackal's kinematic controller. Publish here to make Jackal go.
/odometry/filtered	nav_msgs/Odometry	Published by <code>robot_localization</code> , a filtered localization estimate based on wheel odometry (encoders), integrated IMU, and integrated GPS.
/imu/data	sensor_msgs/IMU	Published by <code>imu_filter_madgwick</code> , an orientation estimate based on Jackal's internal gyroscope, accelerometer, and magnetometer.
/navsat/fix	sensor_msgs/NavSatFix	Position fix from Jackal's built in GPS receiver.
/navsat/vel	geometry_msgs/TwistStamped	Velocity over ground according to the integrated GPS receiver.
/cmd_drive	jackal_msgs/Drive	Output from Jackal's kinematic controller, input to the motor controllers. Subscribe here for a lower-level look at what's going on.
/feedback	jackal_msgs/Feedback	High-frequency inputs from Jackal's encoders and motor current sensors.
/status	jackal_msgs/Status	Low-frequency status data for Jackal's systems. This information is republished in human readable form on the <code>diagnostics</code> topic and is best consumed with the Robot Monitor.

Table 1: Jackal ROS API Topics

## 2 GETTING STARTED

The first step is to power up your Jackal and have some fun driving it around! If you've just unpacked Jackal from its shipment packaging, you'll need to open it up and connect the battery.

Press the power button (🔌) on Jackal's HMI panel. The LEDs should show a test pattern, after which you will wait about 30 seconds for the internal PC to finish booting up.

Press the PS/P4 button on the Sony Bluetooth controller to sync the controller to Jackal. Once the small red LED on the controller goes solid, you're paired and ready to drive. Hold the L1 trigger button (deadman switch), and push the left thumbstick forward to drive the Jackal. For full speed mode, hold the R1 trigger. See Figure 5 for the Sony PS4 controls layout.

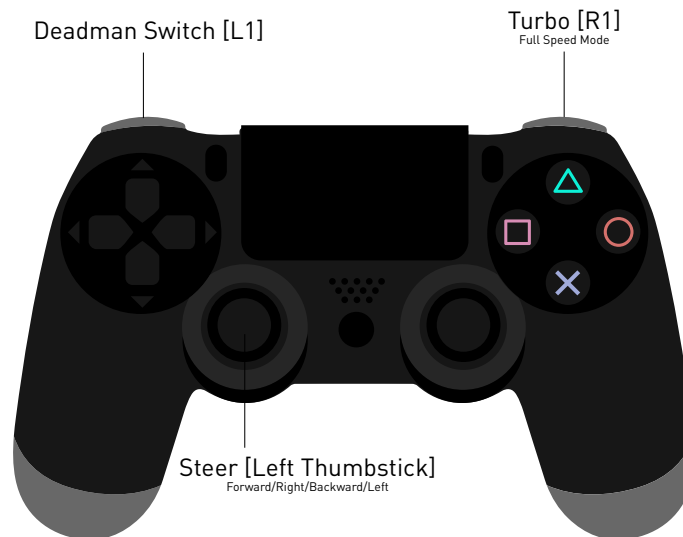


Figure 5: PS4 Controls Layout

If you're not seeing any action, check Contact on page 15 to get in touch with support.

### 2.1 Wireless Access

To get Jackal connected to your local wifi, you must first access the internal computer using a wired connection. Open the chassis, lower the computer tray, and connect to the network port labeled `STATIC` with a standard ethernet cable.

### 2.1.1 Static IP Configuration

Set your laptop's ethernet port to a static IP such as 192.168.1.51. To do this in Ubuntu, follow the steps below:

1. Click on the Wifi icon in the upper-right corner of your screen, and select **Edit Connections**
2. In the **Network Connections** window, under **Ethernet**, select your wired connection and then click **Edit**
3. Select the **IPv4 Settings** tab and then change the **Method** to Manual
4. Click the **Add** button to add a new address
5. Enter a 192.168.1.51 as the static IP under the **Address** column, and enter 255.255.255.0 under the **NetMask** column, and then select **Save**

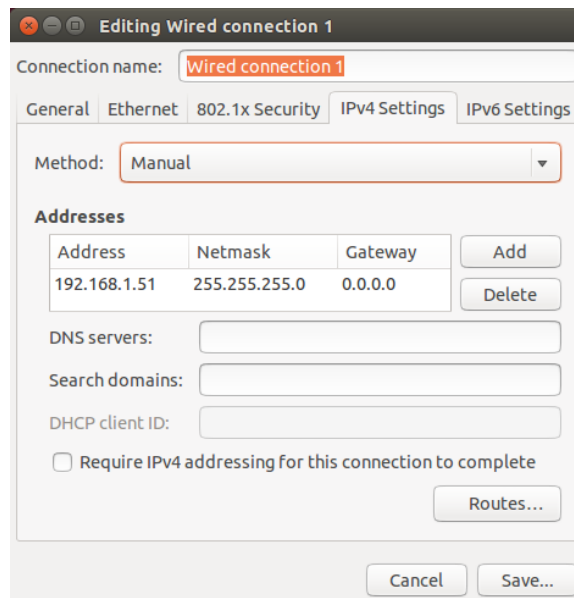


Figure 6: Static IP Configuration

### 2.1.2 Connect to Jackal via SSH over ethernet

The next step is to connect to Jackal via SSH. To do so execute the following in a terminal window:

```
ssh administrator@192.168.1.11
```

You will be promoted to enter a password. The default password is clearpath.



### 2.1.3 Connect Jackal to Wireless Network

Now that you're connected via SSH over a wired connection, you can setup Jackal to connect to a local wifi network. To do this, you will use the wireless interface configuration daemon (WICD) - a preinstalled network manager.

In a terminal window, execute the following command:

```
wicd-curses
```

You should see a browsable list of networks which the robot has detected. Use arrow keys to select the one you would like to connect to, and then press the right arrow to configure it. You can enter your network's password near the bottom of the page, and note that you must select the correct encryption scheme; most modern networks use WPA1/2 Passphrase, so if that's you, make sure that option is selected. You also likely want to select the option to automatically reconnect to this network, so that Jackal will be there for you on your wireless automatically in the future.

When you're finished, press **F10** to save, and then **C** to connect. Jackal is now connected to wifi!

While you're still wired to Jackal, you'll need to identify the IP address of Jackal's wireless connection.

In a terminal window, execute:

```
ifconfig
```

A list of network connections will be displayed within the terminal. Locate the wireless network and make note of its IP address. Now that you know Jackal's wireless IP address, you may now exit the ethernet SSH session by executing `exit`.

Remove the ethernet cord and close up Jackal. Now you can SSH into Jackal over the wireless network. To do so, execute:

```
ssh administrator@<IP_OF_JACKAL>
```

SSH sessions allow you to control Jackal's internal computer. You can do various things such as download packages, run updates, add/remove files, transfer files etc.

## 2.2 Remote ROS Connectivity

To use ROS desktop tools, you'll need your computer to be able to connect to Jackal's ROS master. This will allow you to run ROS commands like `rostopic list`, `rostopic echo`, `rostopic list`, and others, from a remote PC and the output will reflect the activity on Jackal's ROS master, rather than on your own machine. This can be a tricky process, but we've tried to make it as simple as possible.

In order for the ROS tools on your computer to talk to Jackal, they need to know two things:

- How to find the ROS master, which is set in the `ROS_MASTER_URI` environment variable, and

- How processes on the other computer can find your computer, which is the `ROS_IP` environment variable.

The suggested pattern is to create a file in your home directory called `remote-jackal.sh` with the following contents:

```
export ROS_MASTER_URI=http://cpr-jackal-0001:11311 # Jackal's hostname
export ROS_IP=10.25.0.102 # Your laptop's wireless IP address
```

If your network doesn't already resolve Jackal's hostname to its wireless IP address, you may need to add a corresponding line to your computer's `/etc/hosts` file:

```
10.25.0.101 cpr-jackal-0001
```

**NOTE:** You can verify the hostname and IP address of Jackal using the following commands during an SSH session with the onboard PC.

```
hostname
hostname -i
```

Then, when you're ready to communicate remotely with Jackal, you can source that script like so, thus defining those two key environment variables in the present context.

```
source remote-jackal.sh
```

To verify that everything is set up properly, try running a few ROS commands, such as the standard visual ROS tools:

```
roslaunch jackal_viz view_robot.launch
roslaunch rqt_robot_monitor rqt_robot_monitor
roslaunch rqt_console rqt_console
```

If the tools launch, then everything is setup properly.

Please contact Clearpath Support if you need assistance in configuring remote access. For more general details on how ROS works over TCP with multiple machines, please see:

<http://wiki.ros.org/ROS/Tutorials/MultipleMachines>.

For help troubleshooting a multiple machines connectivity issue, see:

<http://wiki.ros.org/ROS/NetworkSetup>

## 2.3 Jackal Desktop Packages

To command or observe Jackal from your desktop computer, first set up a basic ROS installation. See the following page for details:

<http://wiki.ros.org/indigo/Installation/Ubuntu>

When your ROS install is set up, install the Jackal desktop packages:

```
sudo apt-get install ros-indigo-jackal-desktop
```

Once your remote access to Jackal's ROS master is configured (see options in subsection 2.2), you can launch rviz, the standard ROS robot visualization tool:

```
roslaunch jackal_viz view_robot.launch
```

From within rviz, you can use interactive markers to drive Jackal, you can visualize its published localization estimate, and you can visualize any attached sensors which have been added to its robot description XML (URDF).

Additionally from the desktop, you can launch the standard RQT Robot Monitor, which watches the diagnostic output from Jackal's self-monitoring capabilities:

```
rosvrun rqt_robot_monitor rqt_robot_monitor
```

## 3 APPS

When equipped with a laser scanner as is available in the Gazebo simulation, Jackal works with the standard ROS navigation stack. See [http://wiki.ros.org/jackal\\_navigation](http://wiki.ros.org/jackal_navigation).

A standard outdoor GPS autonomy demonstration using Jackal's built-in sensing is planned, as well as a calibration app for the internal magnetometer.

## 4 CHARGING & BATTERY MAINTENANCE

Jackal's Li-Ion battery pack may be charged internal to the chassis—simply plug in the charger to the charge port located under the rear fender. Charging will occur when Jackal is powered down.

Alternatively, if you have multiple battery packs, you can easily lift the lid and remove the battery for external charging. When charging externally, remove the pigtail which adapts the charger to the platform's weather sealed charge port.

The battery pack is manufactured for Clearpath Robotics by AllCell Technologies. The pack includes integrated protections against fault due to overcurrent, overdischarge, and short circuit. The pack is rugged and designed for the demanding environments into which Jackal may be deployed.

However, please take note of the following:

- The pack must not be stored or operated above 60 °C or below –19 °C.
- The pack must not be punctured or disassembled.
- The pack should be dropped off or delivered to your local hazardous waste authority for disposal.
- When traveling with Jackal, consult your airline's restrictions regarding lithium battery packs. If possible, bring the pack in your carry on luggage, where it will be subject to normal cabin temperatures and pressures.

Please contact Clearpath Robotics for additional information about Jackal's battery or for information about purchasing additional packs.

## 5 PAYLOAD INTEGRATION GUIDE

If you're wanting to attach custom hardware to Jackal, you'll have to take care of mechanical mounting, electrical supply, and software integration. This section aims to equip you with respect to these challenges.

### 5.1 Mechanical Mounting

For external payloads, the recommended configuration is manufacture a metal or plastic bracket which attaches to the 120 mm square mounting holes supplied in Jackal's lid panel. The included thumbscrews use an M5 thread, if you wish to replace them with conventional fasteners. As an alternative to manufacturing a brand new plate, you may remove and modify one of the included ones.

For rear-facing or back-mounted payloads, it is also possible to replace (or drill into) the hatch panel which covers over access to Jackal's internal PC.

### 5.2 Electrical Integration

Except for bus-powered USB cameras, most payloads have separate leads for power and data. Data connections may be brought through the hatch and connected directly to the internal computer. Both of Jackal's internal computer options support USB3 and Ethernet connectivity. With the performance PC, the PCIe slot may be used to supply Firewire, Thunderbolt, or additional USB3 ports, as necessary.

Additionally, the internal mounting area may be used for an Ethernet switch, when attaching multiple Ethernet payloads, or for a PoE power injector as required.

The power lead may likewise be brought through the hatch, and connected to the User Power Board. Pull out the black terminal block, and use a small screwdriver to securely attach power leads to it. Confirm voltage and polarity before reconnecting the terminal block.

You may also choose to terminate your payload's power lead with the appropriate crimps and pins for the four pin Molex connector— this option may be more convenient if you expect to be adding and removing your payload from Jackal more frequently and would prefer not to be fiddling with the terminal block. Contact Clearpath Support for details about these parts.

### 5.3 Software Integration

ROS has a large ecosystem of sensor drivers, some of which include pre-made URDF descriptions and even simulation configurations. Please see the following page on the ROS wiki for a partial list:

<http://wiki.ros.org/Sensors>

For the best experience, consider purchasing supported accessories from Clearpath Robotics for your Jackal, which will include simulation, visualization, and driver support. However, we will happily assist you in integrating your own devices as well.

## 6 CONTACT

Clearpath is committed to your success with Jackal. Please get in touch with us and we'll do our best to get you rolling again quickly: [support@clearpathrobotics.com](mailto:support@clearpathrobotics.com)

To get in touch with a salesperson regarding Jackal or other Clearpath Robotics products, please email [sales@clearpathrobotics.com](mailto:sales@clearpathrobotics.com).

If you have an issue that is specifically about ROS and is something which may be of interest to the broader community, consider asking it on [answers.ros.org](http://answers.ros.org). If you don't get a satisfactory response, please ping us and include a link to your question as posted there. If appropriate, we'll answer in the ROS Answers context for the benefit of the community.

Jackal is designed not to require regular maintenance. As it is a newer product, Clearpath appreciates your patience as we understand its weak-point components and fill out the appropriate care instructions for the platform.